

# POWER



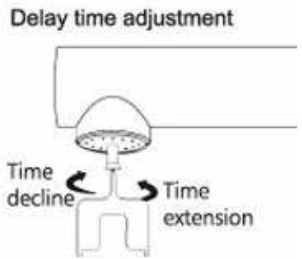
Ningbo Power ( Joro )  
Sanitary Electrical Appliance Co Ltd



Tel:0086-574-87664043, 0574-27892829 Fax: 0574-27892829, 0086-574-87665949

Email:sales@sino-handdryer.com Website:<http://www.sino-handdryer.com>

Msn:[Jbx110@hotmail.com](mailto:Jbx110@hotmail.com) Skype:Jbx110 Contact Person:Mr. Jerry Jiang

PHOTO OF PRODUCT	SEMI-AUTOMATIC FAUCET
	<b>Type: HP-185S</b>
	Weight:
	Water saving: 87%
	Color: silver
	Material: Bronze, chrome plating ,plastic (pom)
	Applicable hydraulic pressure range: 1-5kgf/cm2
	Scope of application: M24x1, male
<b>SIZE OF PRODUCT</b>	
 	

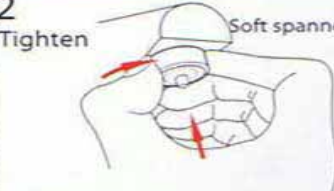
### DIY It explains to install

**1 Shut off the water supply.**




Remove existing aerator and set off screw using a wrench.

**2 Tighten**



Attach "One Touch" tap'snozzle, fasten it up using a wrench.

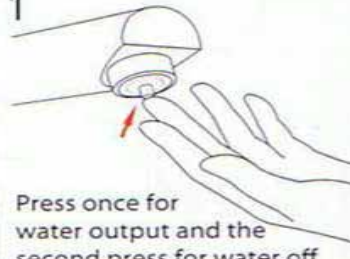
**3 Turn on**



Now turn on the water (leave the tap in the on position)


### Operation instructions

**1**



Press once for water output and the second press for water off

**2**



Temperature controlled by faucet's switch.Keep in cold water position after using hot water.

**Precautions**

- ◆ Turn off faucet if water non-supplied
- ◆ Turn off hot water and turn back to cold water after using hot water to avoid hot water's flowing back to effect water boiler's function

Address : No.618 Zhenming Road, Chuangye Yuan Free Zone Ningbo Zhejiang China

