
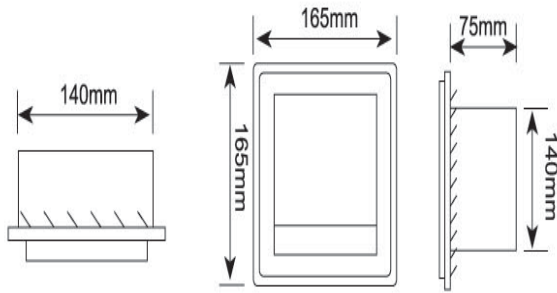


Tel:0086-574-87664043, 0574-27892829 Fax: 0574-27892829, 0086-574-87665949
 Email:sales@sino-handdryer.com Website:<http://www.sino-handdryer.com>
 Msn:Jbx110@hotmail.com Skype:Jbx110 Contact Person:Mr. Jerry Jiang

PHOTO OF PRODUCT	Roll Tissue Box
	<p>● Model : PW-1031</p> <p>Material:304 stainless steel</p>
	<p>SIZE OF PRODUCT</p>
	

Your may interested the following Models:

			
PW-1068	PW-1083	PW-1061	PW-1081

Our Main Products : Soap Dispenser, Hand Dryer, Perfume Dispenser, Tissue Towel, Nail Dryer

Address : No.618 Zhenming Road, Chuangye Yuan Free Zone Ningbo Zhejiang China

