
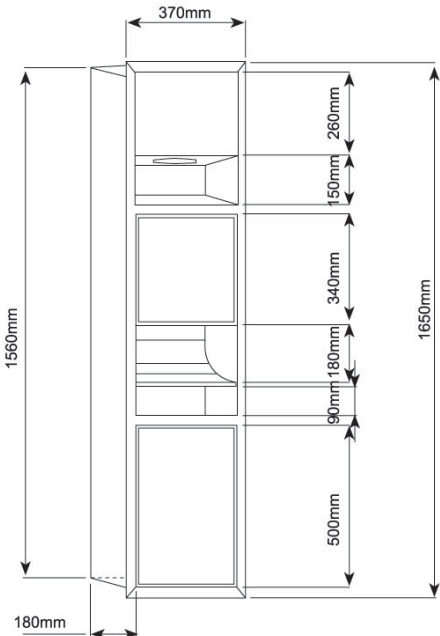


Tel:0086-574-87664043, 0574-27892829 Fax: 0574-27892829, 0086-574-87665949  
 Email:sales@sino-handdryer.com Website:<http://www.sino-handdryer.com>  
 Msn:[Jbx110@hotmail.com](mailto:Jbx110@hotmail.com) Skype:Jbx110 Contact Person:Mr. Jerry Jiang

PHOTO OF PRODUCT	Roll Tissue Box
	<b>Model : PW-1190</b>
	Material:304 stainless steel
	<b>With Lock</b>
	<b>SIZE OF PRODUCT</b>
	

**Your may interested the following Models:**

			
PW-250	PW-70-1	JO-AO1A1	PW-843

Our Main Products : Soap Dispenser, Hand Dryer, Perfume Dispenser, Tissue Towel, Nail Dryer

Address : No.618 Zhenming Road, Chuangye Yuan Free Zone Ningbo Zhejiang China

